

HuiZhou Gloria Technology Co.,Ltd

SPECIFICATION FOR APPROVAL

Customer Name: 艾佳普
Item name: Current Transformer
Vender Part No : LCT01-T23A
Customer Part No : 9.0.0.2.140024
Revision: A0
Date: 2023/3/1

Signature

Audit	Confirmation	Approval
ZhouSiWan	YaoZhaoFeng	WangLe

Approval

Audit	Confirmation	Approval

HuiZhou Gloria Technology Co.,Ltd

Tel: 15875284941

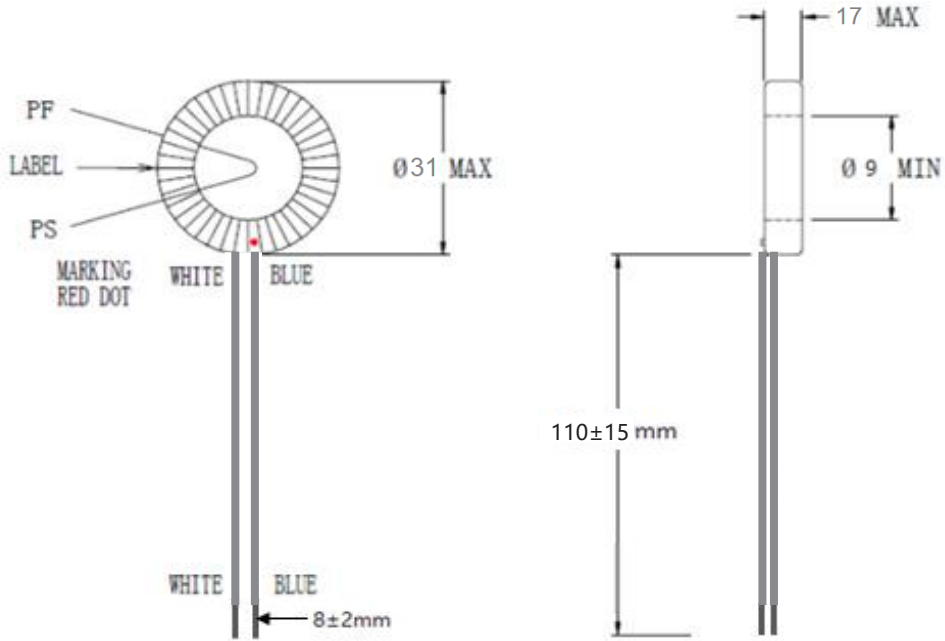
Add: No.108,Dongxin street,Dongxing area,Dongjiang
industrial Park,Zhongkai Hi-tech
District,Huizhou,China

Fax: 0752-2313186

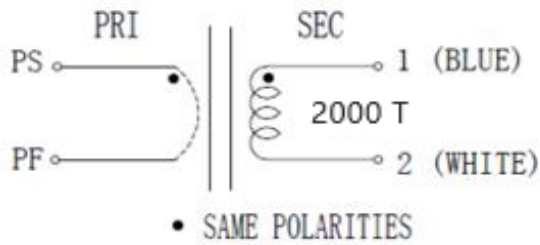
HuiZhou Gloria Technology Co.,Ltd SPECIFICATION

Customer	艾佳普	P/N		9.0.0.2.140024
GLORIA P/N	LCT01-T23A	REV	A0	DATE
				2023/3/1

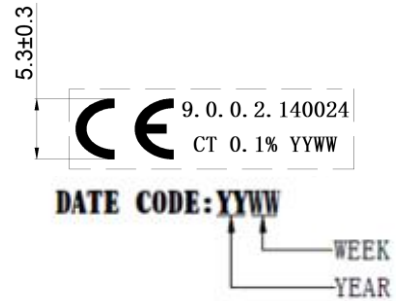
1. DIMENSIONS: (unit: mm)



SCHEMATIC:



LABEL:



HuiZhou Gloria Technology Co.,Ltd

SPECIFICATION

Customer	艾佳普	P/N	9.0.0.2.140024	
GLORIA P/N	LCT01-T23A	REV	A0	DATE
				2023/3/1

2. WINDING DATA & NOTE:

NO.	START	END	SPECIFICATION	TURNS	WINDING DATA	INSULATION	REMARKS
N1	1 BLUE	2 WHITE	QA-1/155℃ Φ0.13	2000±2	Uniform winding	1 LAYER Fiberglass Cloth	Lamination 50%~70%
N2	PS	PF	—	—	—	—	—

2.1 Two layers of polyimide tape are wrapped around the coil

2.2 The non-woven tape shall be used as the cushion at the welding points of each conductor, which shall be backfilled for insulation and fixation

3. ELECTRICAL SPECIFICATION:

NO.	Testing Item	Pin No.	Specification	Condition	Equipment
1	DC Resistance	N1	95Ω Max	@25℃	RM3544
2	Turn Ratio	N2: N1	1:2000(±2)	@20KHz 1V REF	YG-107
3	Amplitude Error(%)	N1	±0.1%	@I _o =10A AC 45-65Hz RL=12.5Ω	SYCS-1125A
4	HI-POT Test	PRI TO SEC	No breakdown No flashover	3000VAC 3mA 60S	CS2670

4. MATERIAL LIST:

NO.	NAME	SPEC & MATERIAL	MATERIAL MANUFACTURE	UL	ROHS
1	Core	NanoCrystalline T25×16×10 Coat	HERO MAGNETIC DEVELOPMENT CO LTD OR EQUIVALENT	—	YES
2	Pad Tape	WFF(f) 130℃	JINGJIANG YAHUA PRESSURE SENSITIVE GLUE CO LTD OR EQUIVALENT	E165111	YES
3	Tape	PF* (d)(g) 180℃	DONGGUAN SHIN YAHUA ELECTRONIC MATERIAL CO LTD OR EQUIVALENT	E324093	YES
4	Wire	xUEW/155, QA-x/155 155℃	DONGGUAN TIDA INDUSTRIAL CO LTD OR EQUIVALENT	E344055	YES
5	Outside Tape	HZ6558 180℃	CHANGSHU HAIZHOU ELECTRONIC MATERIAL CO LTD OR EQUIVALENT	E483388	YES
6	Fixing Lead Wire Tape	PZ/CT 130℃	DONGGUAN SHIN YAHUA ELECTRONIC MATERIAL CO LTD OR EQUIVALENT	E324093	YES
7	Lead Wire	UL3239 3000VAC 26AWG BLUE/WHITE	DONG GUAN SHENG PAI ELECTRIC WIRE & CABLE CO LTD OR EQUIVALENT	E328303	YES
8	Solder	SnCu0.7	YUNNAN TIN CO., LTD	—	YES

HuiZhou Gloria Technology Co.,Ltd SPECIFICATION

Customer	艾佳普	P/N			9.0.0.2.140024
GLORIA P/N	LCT01-T23A	REV	A0	DATE	2023/3/1

5. PACKAGING AND STORAGE:

5.1 PACKAGING:

NO.	NAME	DESCRIPTION	QUANTUM
1	Blister box	420*320*18 REF	/
2	Division plate	420*320*7 K=K	/
3	Carton	420*320*165 K=K	/
4	Tape	48*72Y Transparent	/

5.2 STORAGE:

- 1.Storage temperature: -20℃~+60℃
- 2.Relative humidity: 30%~80%
- 3.retention time: 6 months
- 4.Antistatic agent: no antistatic requirement
- 5.The packaging materials are for the customer's sample approval. If you have any questions, please put forward them before the sample approval, otherwise they will be regarded as approval and applied to production
- 6.The packaging reference drawing is as follows:

