



# SPECIFICATION

# 承认书

CUSTOMER : 上海思格

DESCRIPTION : 电流互感器

CUSTOMER P/N : ——

GLORIA MODEL : LCT01-T22A

DATE : 2023/9/13

STANDARD : /

Rev.	DESCRIPTION		DATE
A	INITIAL ISSUE		2023/9/13
/			
/			
DRAWN BY	姚兆锋		
CHCKED BY	ELECTRICAL	CONSTRUCTION	RoHS
	周思万		邱秋梅
APPROVED BY	王乐		
<b>客户批准/CUSTOMER APPROVAL:</b>			
Please pay attention to the red items, which are slightly different with the original drawing you provided.			

**格利尔数码科技股份有限公司**

**GLORIA TECHNOLOGY LLC**

地 址：江苏省徐州市铜山经济开发区昆仑路格利尔数码科技园

Kunlun Road, Hi-Tech Industrial Development Zone, Xuzhou, Jiangsu, China 221116

**惠州格利尔科技有限公司**

**HUIZHOU GLORIA TECHNOLOGY CO., LTD.**

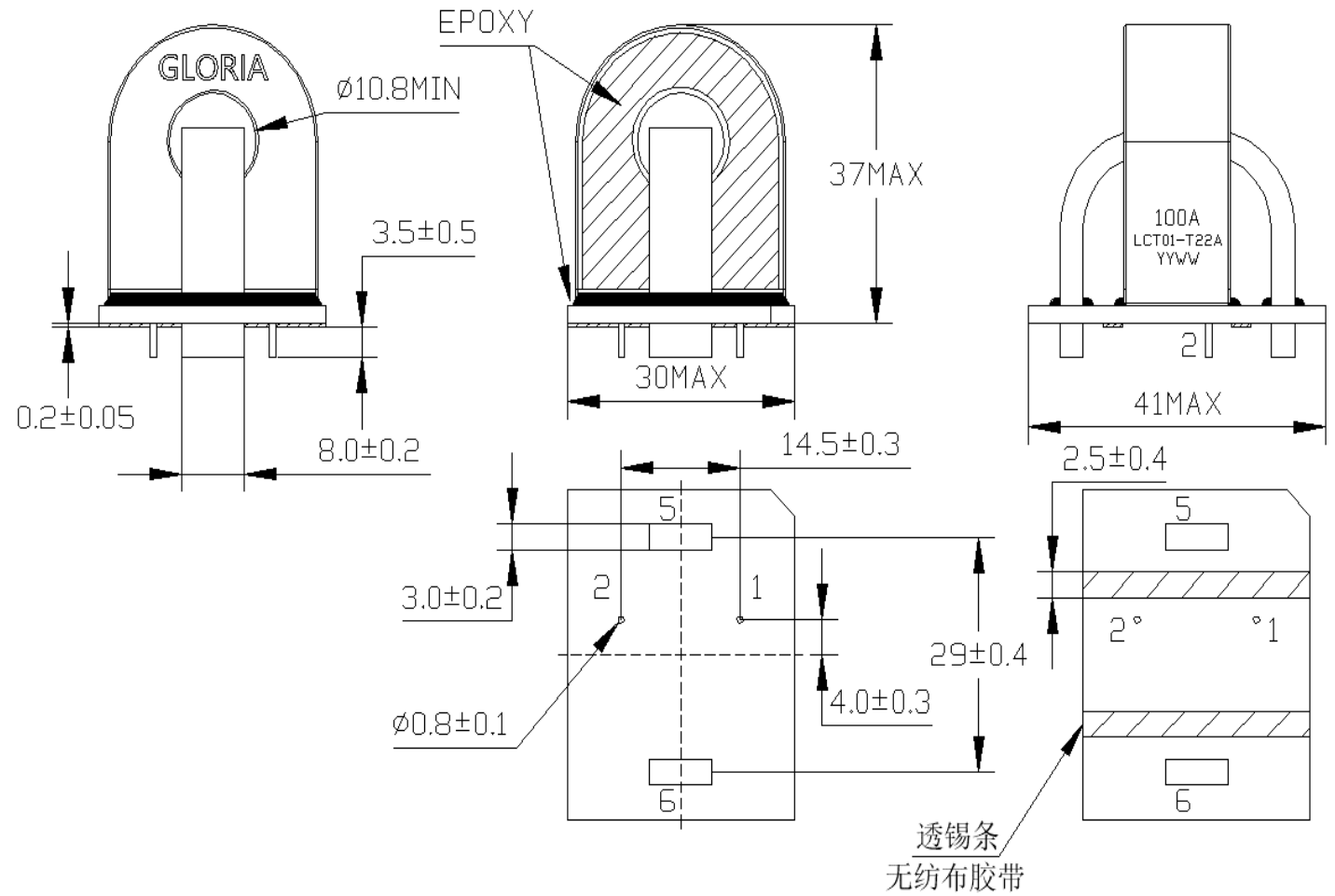
地址：惠州仲恺高新区东江产业园东兴片区东新大道108号B1栋3层

No.108, Dongxing street, Dongxing area, Dongjiang industrial Park, Zhongkai Hi-tech District, Huizhou, China

This document is the property of the Gloria Technology LLC and cannot be used, reproduced, transmitted or disclosed, without prior authorization.

此文件为格利尔数码科技股份有限公司所有，未经授权，不得使用、复制、传播和泄露。

1. Appearance and Dimensions (mm)  
外形尺寸(mm)



This product is not authorized for use in any application related to safety.  
Specification subject to change without notice. Please check web site for latest information.

## 2.WINDING DATA:

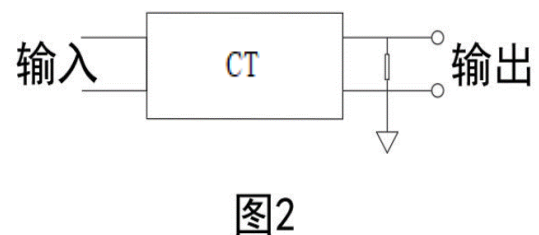
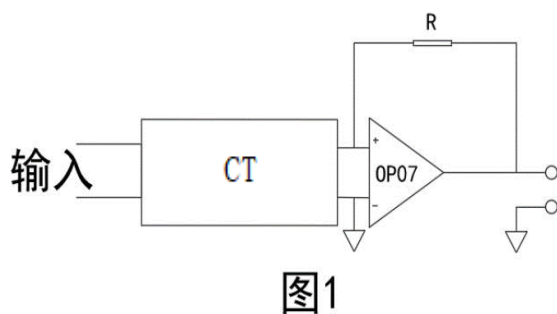
## 绕组数据:

NO.	START	END	SPECIFICATION	TURNS	WINDING DATA	TAPE	NOTE
N1	1	2	QA-1/155°C φ0.14mm*1P	2000±5	均绕	/	/
N2	5	6	铜排 3mm*8mm	1	/	/	/

## 注意事项:

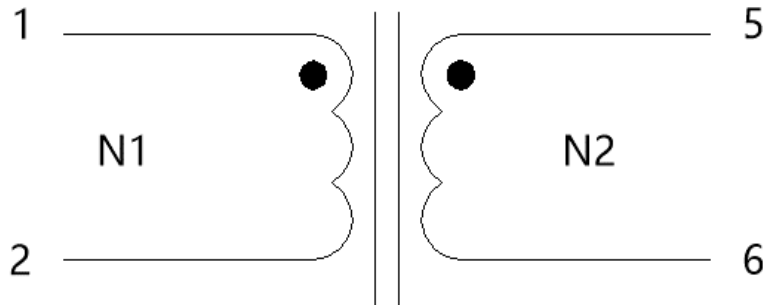
- 1.在外形图示位置喷、镭雕或贴型号标志:YYWW(YYWW--年周);
- 2.环氧树脂灌封固定磁芯;

## 使用示意图:



**3.ELECTRICAL DIAGRAM:**

电气图:

**4.ELECTRICAL SPECIFICATION :**

电气规范:

NO.	MEASURING PARANETER	MEASURING ITEM	MEASURING VALUE	MEASURING CONDITION	EQUIPMENT
1	DC RESISTANCE	1-2	75Ω MAX	25°C	RM3544
2	HI-POT	N1-胶面	No BREAKDOWN	AC4000V 5mA 60S	CS2670D
		N1-N2	No BREAKDOWN	AC3000V 5mA 60S	CS2670D
3	TURNS	1-2	2000±5	10KHz 1V @25°C REF	YG107 OR EQU
4	ERROR	1-2	0.5%(20%~100%Io)	Io=100Aac, 50Hz R=50Ω	SYCS-1125A
5	RATED INPUT/OUTPUT	/	100A/0.05A	50Hz R=50Ω	/
6	INSULATION RESISTANCE	N1-胶面	100MΩ MIN	DC500V	7122

**NOTE:**

- Operating temperature rage:-40°C to +85°C(工作温度范围: -40°C~+85°C)
- 产品储存环境要求 (Product storage environment requirements) :
  - \*Temperature rage: -25°C to +40°C(温度范围: -20°C~+40°C) .
  - \*Relative humidity rage: 30% to 90%(相对湿度范围: 30%~90%) .
  - \*Storage life: six months (储存年限: 12个月) .

This product is not authorized for use in any application related to safety.

Specification subject to change without notice.Please check web site for latest information.

## 5. MATERIAL LIST:

## 材料清单

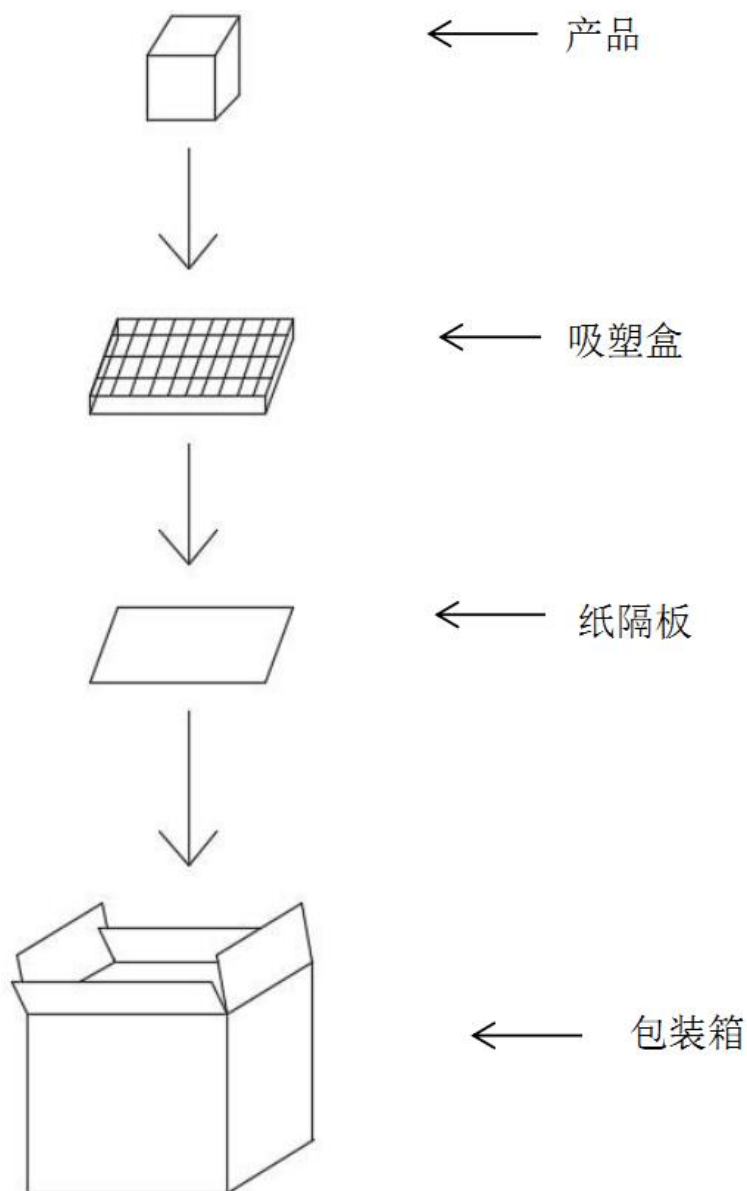
NO.	DESCRIPTION	SPEC & MATERIAL	MATERIAL MANUFACTURE	UL NO.
1	CASE	PM9630 150°C	SUMITOMO BAKELITE CO LTD OR EQUIVALENT	E41429
2	CORE	Nanocrystalline	Shenzhen Nabite Technology OR EQUIVALENT	/
3	WIRE	QA-x/155 155°C	DONGGUAN YIDA INDUSTRIAL CO LTD OR EQUIVALENT	E344055
4	SOLDER	SnCu0.7	YUNNAN TIN CO., LTD	/
5	EPOXY	3300A/B	DONGGUAN EATTO ELECTRONIC MATERIAL CO LTD OR EQUIVALENT	E218090
6	TAPE	WF-2901 130°C	JINGJIANG YAHUA PRESSURE SENSITIVE GLUE CO LTD	E165111

This product is not authorized for use in any application related to safety.

Specification subject to change without notice. Please check web site for latest information.

**6.PACKING:****包装**

- 1.批量生产时包装箱上标明产品的型号、名称、数量、出厂日期;
- 2.箱体外观整洁,箱形方正;
- 3.该产品材料、制作工艺、包装等均符合ROHS标准;
- 4.包装参考图如下:



This product is not authorized for use in any application related to safety.  
Specification subject to change without notice. Please check web site for latest information.